

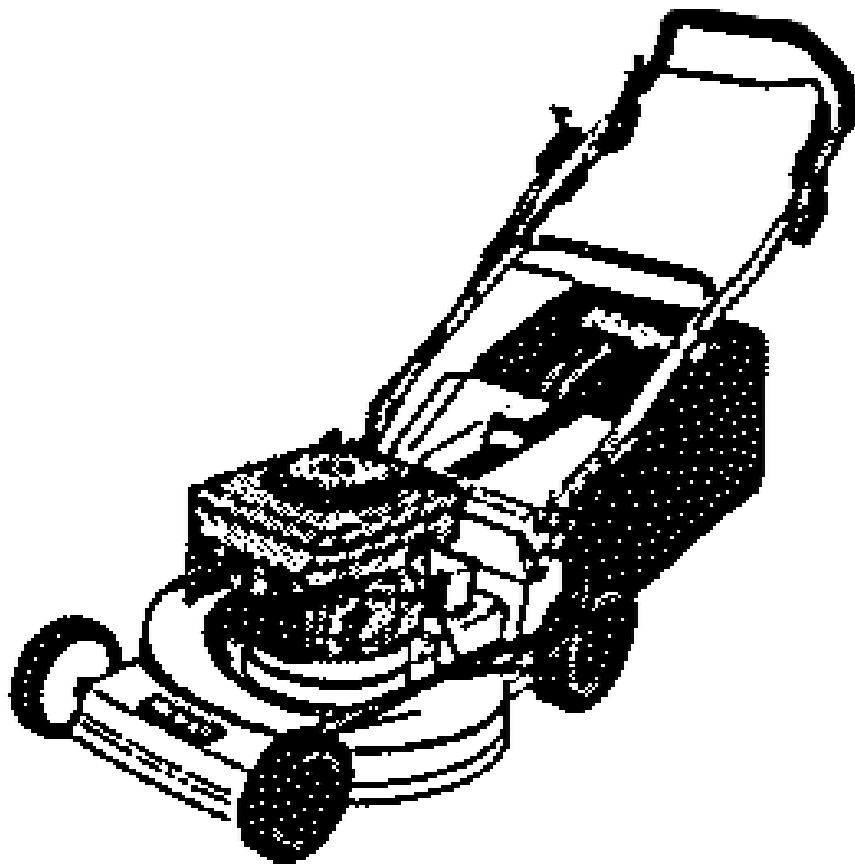
Masport[®]

ROTARY MOWERS

SERIES 20 - 900 SP

| <u>Part Number</u> | <u>Model</u> | <u>Engine</u> |
|--------------------|--------------|---------------|
| 980961 | S20 900AL SP | B&S |

Month and Year of First Manufacture - 1989



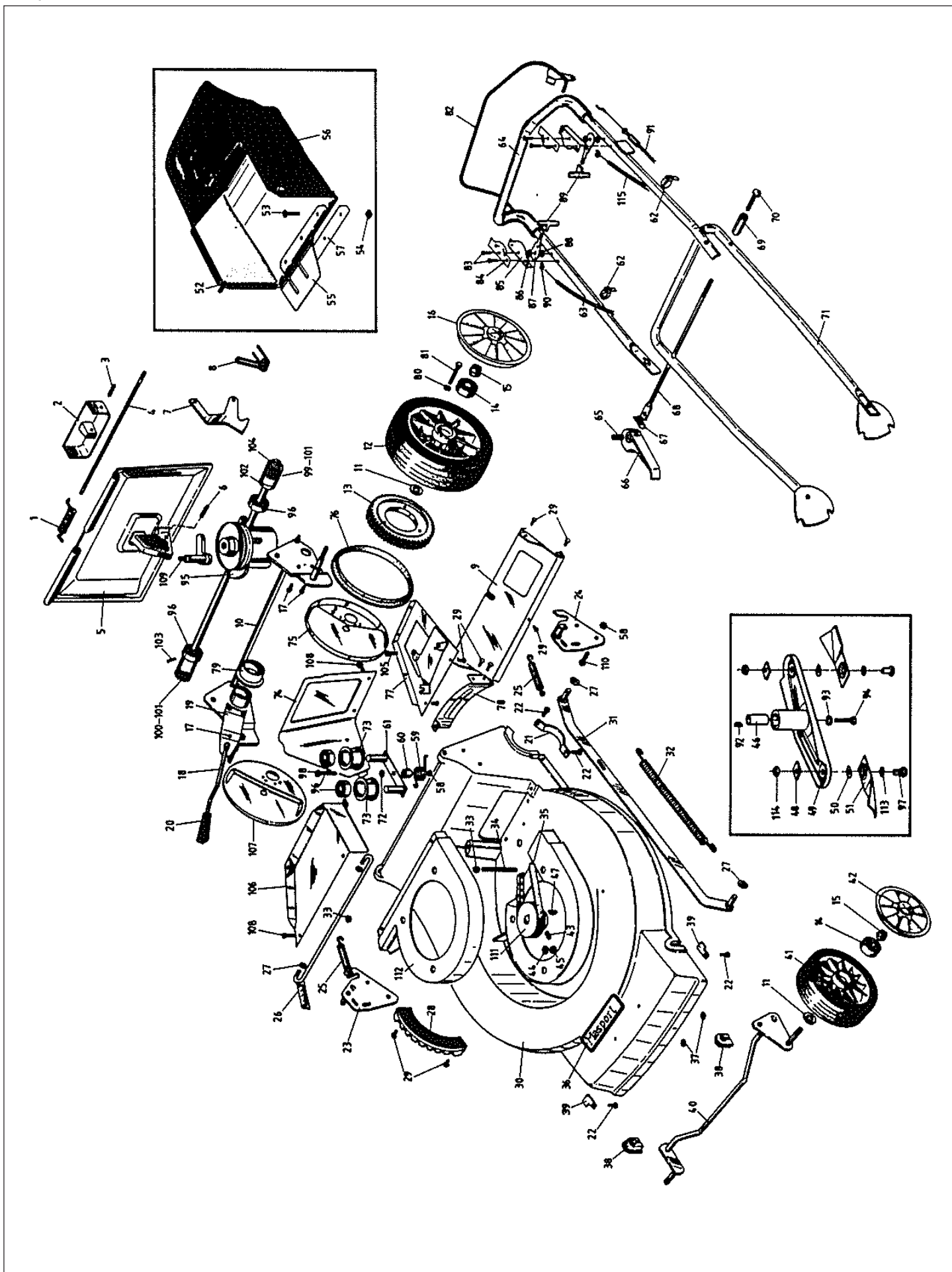
Issue .a.0
Feb 2015 PB
REF # 780961



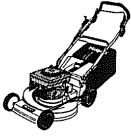
Masport

S22 900AL SP
Powered by: B&S

Issue.a.0
Feb 2015 PB
REF # 780961



Determine right or left hand side from standing in operating position (standing at handle)



S22 900AL SP
Powered by: B&S

Masport

Issue.a.0
Feb 2015 PB
REF # 780961

| Item No. | Part No. | Description | Qty | Item No. | Part No. | Description | Qty | Item No. | Part No. | Description | Qty |
|----------|----------|-----------------------------|-----|----------|----------|---------------------------|-----|----------|----------|---------------------------|-----|
| 1 | 580008 | Spring, Flap | 1 | 52 | 980102 | Frame Assy, Catcher | 1 | 105 | 580540 | Screw, Self Tapping | 1 |
| 2 | 580602 | Handle, Flap | 1 | 53 | 502101 | Screw, Pan M6 x 12 | 3 | 106 | 980299 | Cover, Belt - Silver | 1 |
| 3 | 502019 | Pin, Tension 3 x 8 | 1 | 54 | 502098 | Nut M6 | 3 | 107 | 980066 | Cover, RH Dust | 1 |
| 4 | 580007 | Rod, Flap Pivot | 1 | 55 | 980111 | Lip, Catcher | 1 | 108 | 503239 | Screw, Self Tapping | 7 |
| 5 | 9800510 | Flap - Silver | 1 | 56 | 980309 | Bag Assembly, Catcher | 1 | 109 | 580600 | Lever, Inside Clutch | 1 |
| 6 | 503257 | Pin, Tension 5/32" x 1" | 1 | 57 | 980572 | Plate, Catcher | 1 | 110 | 501597 | Screw, Set M8 x 20 | 4 |
| 7 | 580113 | Latch, Flap | 1 | 58 | 501793 | Nut, Nyloc M8 | 5 | 111 | 980558 | Pulley, Engine - 25mm | 1 |
| 8 | 580114 | Spring, Flap Latch | 1 | 59 | 580298 | Spring, Tensioner | 1 | 112 | 980314 | Ring, Spacer - Silver | 1 |
| 9 | 980016 | Stiffener, Rear Brace | 1 | 60 | 980296 | Pivot, Tensioner | 1 | 113 | 580675 | Washer, Flat 13 x 22 x .6 | 2 |
| 10 | 980034 | Axle Assy, Rear Driving | 1 | 61 | 980294 | Tensioner Arm | 1 | 114 | 501680 | Nut, Nyloc M10 HEX | 2 |
| 11 | 573071 | Seal-Bearing | 4 | 62 | 503054 | Tie, Nylon Cable | 4 | 115 | 580626 | Cable, Speed Control | 1 |
| 12 | 980074 | Wheel Assy, Rear 200mm | 2 | 63 | 980477 | Cable, Throttle Control | 1 | | | | |
| 13 | 580618 | Gear, Driving | 2 | 64 | 957078 | Handle & Sleeve Assy | 1 | | | | |
| 14 | 501371 | Bearing, Ball | 8 | 65 | 503369 | Pin, Tension 3/16" x 7/8" | 1 | | | | |
| 15 | 563057 | Nut, Nyloc 5/16" NF Wheel | 4 | 66 | 580313 | Lever, Handle Locking | 1 | | | | |
| 16 | 580234 | Hubcap, 200 mm | 2 | 67 | 016777 | Washer, Slipper | 1 | | | | |
| 17 | 503373 | Rivet Pop 3/16" x 27/64" | 5 | 68 | 974382 | Rod, Handle Locking | 1 | | | | |
| 18 | 980022 | Rod, Height Selector | 1 | 69 | 574013 | Nut, M8 HEX TUBE | 1 | | | | |
| 19 | 580649 | Spring, Leaf | 1 | 70 | 574015 | Bolt, M8 x 50 x 10 | 1 | | | | |
| 20 | 580056 | Grip, 7.9 - Black | 1 | 71 | 980399 | Handle Assy, Lower | 1 | | | | |
| 21 | 980586 | Retainer, Rear Axle | 2 | 72 | 501606 | Washer, Flat 8 x 19 x 1.5 | 1 | | | | |
| 22 | 501599 | Screw, Self Tapping | 6 | 73 | 980297 | Pulley, Tensioner | 2 | | | | |
| 23 | 980345 | Plate Assembly, RH | 1 | 74 | 980311 | Cover, Gearbox | 1 | | | | |
| 24 | 980346 | Plate Assembly, LH | 1 | 75 | 980067 | Cover, LH Dust | 1 | | | | |
| 25 | 580268 | Spring, Pedal | 2 | 76 | 580046 | Seal-Dust, Wheel | 2 | | | | |
| 26 | 980265 | Rod, Torsion | 1 | 77 | 980595 | Plate, Assy, Gearbox | 1 | | | | |
| 27 | 501365 | Clip, Starlock 5/16" | 4 | 78 | 980005 | Deflector, Rear | 1 | | | | |
| 28 | 580025 | Quadrant, Height Selector | 1 | 79 | 580091 | Bush, Rear Axle | 2 | | | | |
| 29 | 503200 | Rivet, Pop 5 Dia x 12.7 | 11 | 80 | 501703 | Washer, Flat 6 x 14 x 1.2 | 6 | | | | |
| 30 | 980483 | Housing - Silver | 1 | 81 | 580179 | Screw, Set M6 x 40 | 6 | | | | |
| 31 | 980143 | Rod Assy, Connecting | 1 | 82 | 980623 | Bail Handle | 1 | | | | |
| 32 | 580621 | Spring, Counterbalance | 1 | 83 | 529049 | Screw, M10 x 22 | 4 | | | | |
| 33 | 501602 | Nut, M8 HEX | 3 | 85 | 929097 | Plate, Control - Black | 2 | | | | |
| 34 | 980570 | Stud, Engine - Long | 1 | 86 | 529037 | Washer, Nylon | 2 | | | | |
| 35 | 580300 | V.Belt | 1 | 87 | 980619 | Lever, Throttle Control | 2 | | | | |
| 36 | 580283 | Name Plate, Masport | 1 | 88 | 529020 | Washer, Thrust | 2 | | | | |
| 37 | 503151 | Clip, Starlock 4 Dia | 2 | 89 | 580471 | Knob, Throttle | 2 | | | | |
| 38 | 580030 | Bush, Axle Pivot | 2 | 90 | 529127 | Clamp, Cable | 2 | | | | |
| 39 | 980564 | Plate, Front Axle Retaining | 2 | 91 | 580625 | Clutch, Drive Cable | 1 | | | | |
| 40 | 980496 | Axle Assembly, Front | 1 | 92 | 503363 | Key - 25mm Shaft | 2 | | | | |
| 41 | 980088 | Wheel Assy, Front 175mm | 2 | 93 | 500204 | Washer, Spring 3/8" | 1 | | | | |
| 42 | 580235 | Hubcap, 150mm | 2 | 94 | 007805 | Bolt, 3/8" x 2 1/2" NF | 1 | | | | |
| 43 | 503386 | Screw, Grub M8 x 8 | 1 | 95 | 580023 | Gearbox Assembly | 2 | | | | |
| 44 | 501614 | Washer, Spring | 3 | 96 | 501213 | Bearing, Ball 12 x 32 x 1 | 4 | | | | |
| 45 | 501676 | Nut M10 HEX | 3 | 97 | 580086 | Bolt, Mounting | 2 | | | | |
| 46 | 980545 | Spacer | 1 | 99 | 580590 | Pinion, LH | 1 | | | | |
| 47 | 503363 | Key - 25mm Shaft | 2 | 100 | 580591 | Pinion, RH | 1 | | | | |
| 48 | 580085 | Washer, Backing | 2 | 101 | 580592 | Pawl | 2 | | | | |
| 49 | 980655 | Carrier, Blade | 1 | 102 | 580593 | Cap, Plastic | 2 | | | | |
| 50 | 580087 | Washer, Thrust | 2 | 103 | 580594 | Pin, Roll | 4 | | | | |
| 51 | 980658 | Blade, Cushion Cut | 2 | 104 | 580599 | Washer | 2 | | | | |

Determine right or left hand side from standing in operating position (standing at handle)